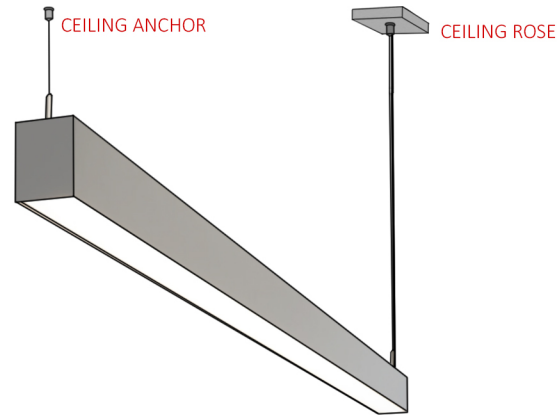


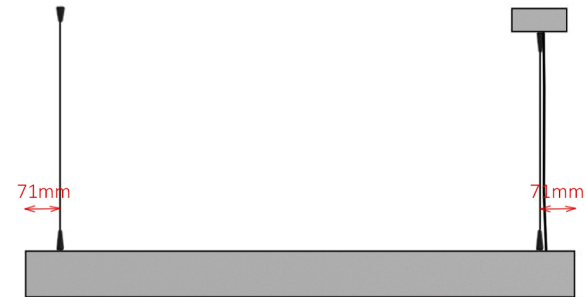
# ENZO INSTALLATION INSTRUCTIONS

1



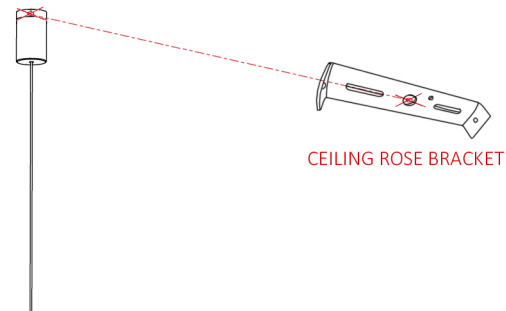
Attach rose and anchor to the ceiling as shown in the above. The rose also acts as a suspension point with a wire cable threaded through the mounting bracket and corresponding small hole in the cover. Attach the two supplied gripper barrels to the studs on the back of the fitting.

2



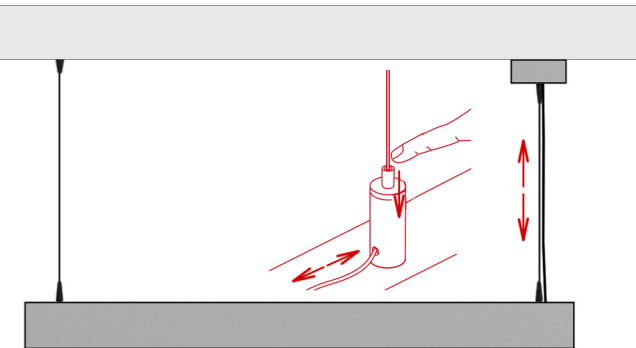
The suspension wires are 71mm in from each end of the fitting. 3m and 3.5m lengths have a suspension point in the middle. Please be aware that the overall length can vary by a few mm due to cutting tolerances. Please measure the fitting before locating the rose and anchors.

3



Install the ceiling rose bracket at the feed end, in line with the ceiling anchor. The dimensions of the rose are 80x80mm. The centre of the rose should be 56mm from the end of the fitting, or 15mm from the wire cable towards the end of the fitting.

4



Adjust the height of the pendant via the grippers attached to the back of the fitting. Shorten the flex to match.